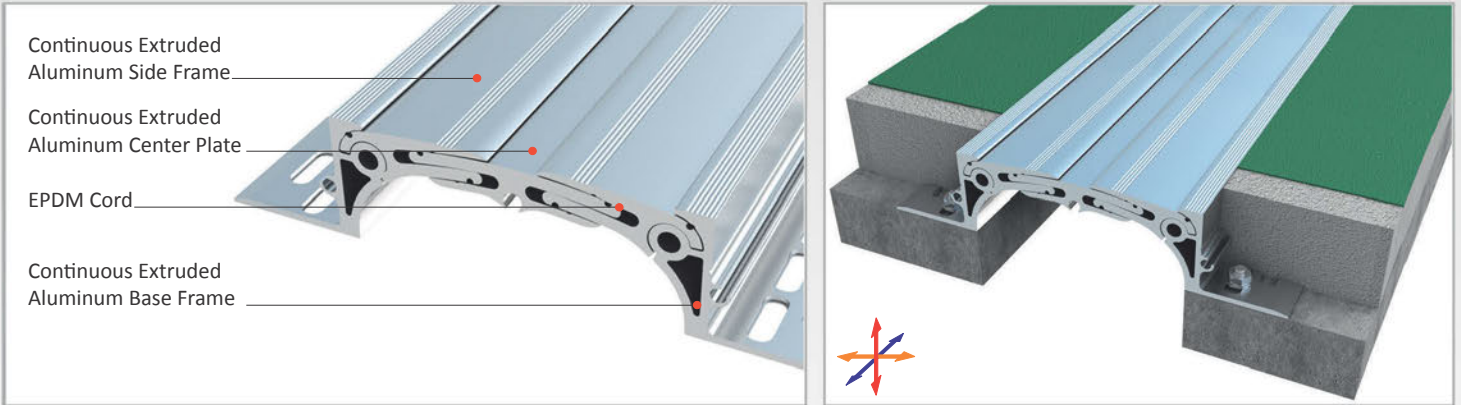


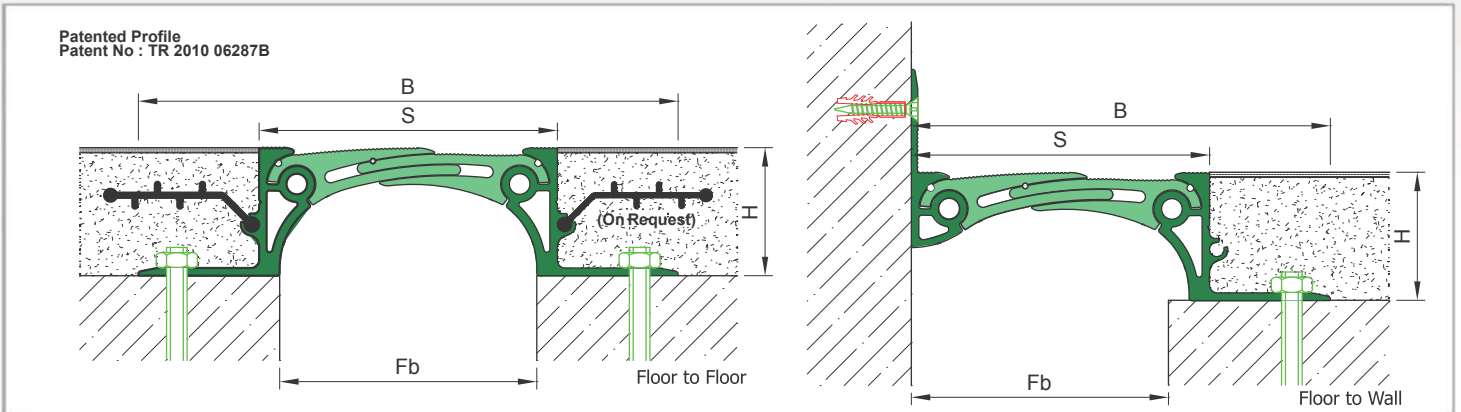


AS A263 is Asteknik's patented profile (Patent No: TR 2010 06287B) and designed for extreme heavy duty use. Thanks to arch shape which lets it to resist to more load than other flush mounted heavy duty profiles and secures a smooth transition for the vehicles. Pure metal structure characterizes AS A263 to be a hardwearing and maintenance free profile. Hinged & sliding profile design enables to meet the displacements in 3 directions. EPDM cords placed between side frames and center plate eliminate metal stroking noise. For superiorly installation, AS A263 can be assembled by means of special aluminum anchorages. Profiles are delivered factory-assembled.

- Application Areas** : Indoor & Outdoor / Floor
- Ideal for** : Factories, Warehouses, Car Parks, Airports, Shopping Malls etc.
- Material** : Mill Finish Aluminum (Anodizing optional), EPDM Cord
- Aluminum Alloy** : 6063 AA-USA / EN AW 6063
- Optional Supplies** : Fire Barrier, Waterproof EPDM membrane



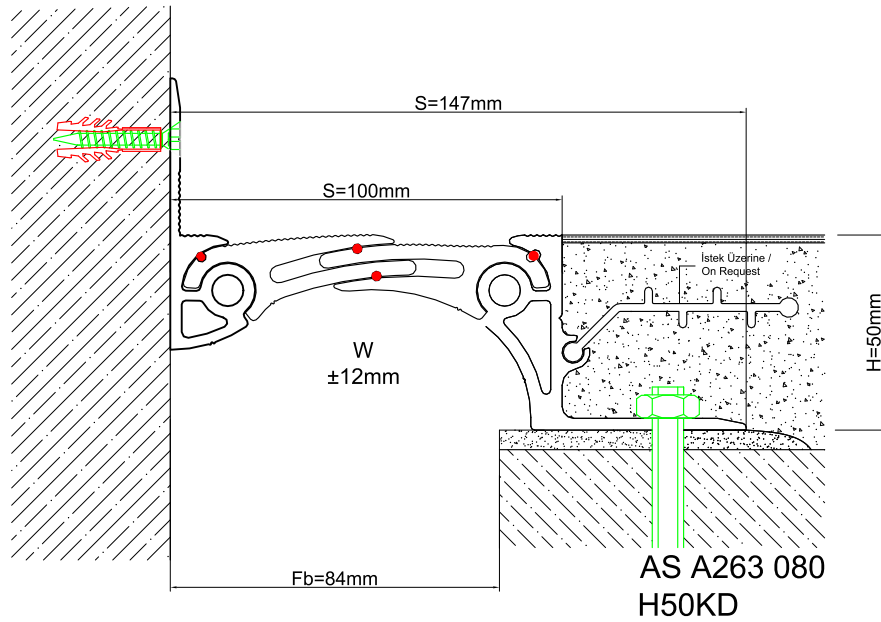
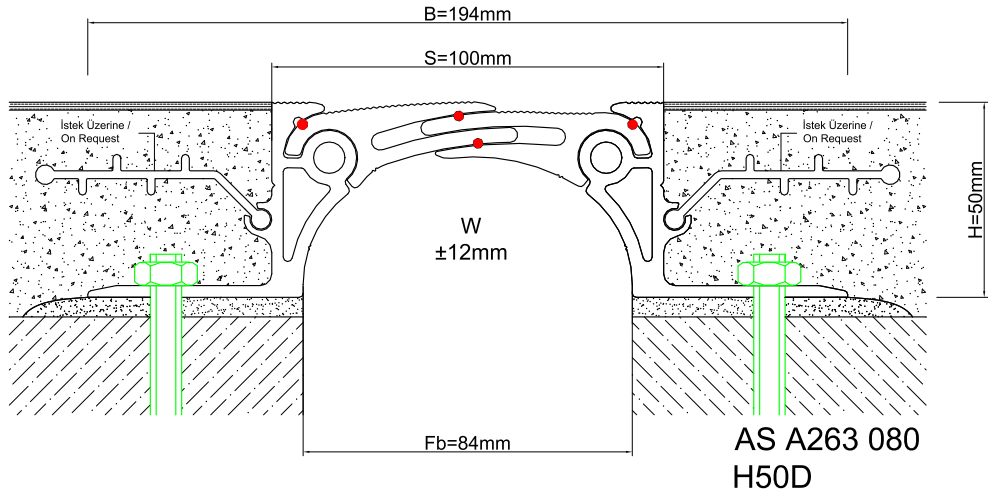
FLOOR




* Visuals are representative and the profile configuration may differ depending on the characteristics requested.

LOCATION	MODEL	GAP (Fb) mm	HEIGHT (H) MM	OVERALL WIDTH (B) mm	VISIBLE WIDTH (S) mm	MOVEMENT (W) mm	LOAD CAPACITY	STANDARD LENGTH (mt)
Floor to Floor	AS A263-080	80	50	194	100	± 12	70 kN 600 kN	3
	AS A263-100	100	50	210	116	± 12	70 kN 600 kN	3
	AS A263-120	120	50	234	140	+22 / -12	35 kN 300 kN	3
	AS A263-150	150	50	250	166	± 22	25 kN 120 kN	3
	AS A263-200	200	50	332	218	± 25		3

Note: Please ask for different sizes



Profil No Profile Number	AS A263 080	AS A263 080K
Fb (mm)	84	84
H (mm) yaklaşık approx.	50	50
W± (mm) yaklaşık approx.	±12	±12
Renk Color	Alüminyum: Natürel Aluminum: Natural	
Malzeme Material	Alüminyum Aluminum	
Standart Uzunluk (m) Standard Length (m)	3	
Yükleme Kapasitesi Load - Bearing Capacity	70 kN  600 kN 